



**FORTUNA HEAVY DUTY-WHEELCHAIR USER MANUAL.
FORTUNA 800, 1000, 1400 & 1500 VERSIONS.**



SUPPLIED BY:

Sumed International (UK) Ltd
Integrity House, Units 1-2 Graphite Way,
Hadfield, Glossop, Derbyshire, SK13 1QH
Tel: 01457 890980
Fax: 01457 890990
E-mail: sales@sumed.co.uk
Web site: www.sumed.co.uk

INTRODUCTION

Thank you for acquiring a Fortuna Heavy-duty wheelchair. The product has been made to exacting standards to demonstrate the duty of care that we have to you, our customer.

Just as we have a duty of care to you, we would ask that you read this manual carefully to ensure that you operate within its capability parameters.

Likewise, we would ask that you take care to maintain the chair in order to prolong its life cycle and to protect you against unnecessary risks as a result of lack of care.

Please read carefully the statement below which refers to crash testing and use of the chair during transportation.

At the time of writing, there has not been a suitable crash test for Heavy-duty wheelchairs of the capacity of the Fortuna range. We do not feel that by adapting an existing standard and bulking up a dummy, it is a true reflection of the performance of the chair and therefore the risks of loss of life to the user. It would be inappropriate to claim it successfully passes ISO 7176 pt 19.

Therefore we do not recommend the use of the chair during transportation, including public transportation and other vehicles.

Also, at the time of writing we are unaware of a suitable tie down mechanism that has been tested for weights of over 145kg, including chair and user. Therefore there are substantial further risks associated with transportation of the user.

It is important that a risk assessment is undertaken to cover all aspects of transportation.

This manual may be changed without notice.



INDEX

INTRODUCTION

Page 2

FORTUNA HEAVY DUTY WHEELCHAIR SAFETY AND USE

Page 4

Page 5

GENERAL SAFETY PRECAUTIONS

Wheelchair Users

Handling

Weight Limit

GENERAL GUIDELINES FOR WHEELCHAIR USE

Page 6

SAFETY AND HANDLING

Parking Brakes

Height Adjustable Armrests

Large (24") Wheels

Front (8") Wheels

Tyres

Transfer to Other Seats

Folding and Unfolding the Wheelchair

Pushing Techniques

LIST OF SAFETY CHECKS

Page 9

REGULAR MAINTENANCE

PERIODIC MAINTENANCE

Item Maintenance Operation

General

Parking Brakes

Cross-braces

Armrest

Rear Drive Wheels

Spokes

Front Castors

Inflatable Tyres

Cleaning

ADJUSTMENTS

Page 10

Fixed Back

Folding Back

Reclining Back

Footrests

Adjustable Height Footrest

Elevating Footrest

Amputee/Stump Board

Parking Brakes

Front Castors

Rear Drive Wheels

Standard Wheel

Removing Armrests

Replacing Armrests

Desk Armrests

Adjustable Armrests

OTHER OPTIONS

Page 16

GENERAL SPECIFICATION DATA

Page 21-24

POWER PACKS

Page 25

WARRANTY TERMS & CONDITIONS

Page 26

FORTUNA HEAVY-DUTY WHEELCHAIR

Various options and accessories are available for the **Fortuna** range of wheelchairs, contact your supplier for details. We are also able to provide special configurations if required.



Key

1. Backpost - Choice of fixed or folding. Extended height backrest or extended height handles.
2. Removable Armrest – Choice of standard, desk, adjustable or other fixed height
3. Seat Upholstery – Choice of Canvas, webbing with foam pad or webbing with padded canvas.
4. Removable swing-a-way footrest – Choice of standard, elevating or stump board
5. Footrests with special footplate
6. Front Castor. Standard 8"
7. Rear Wheel. Choice of 24" or Transit on certain models
8. Parking Brake- Drum brake option available
9. Back Upholstery – Choice of canvas, webbing with foam pad or webbing with padded canvas

There are many options available for special configurations of the Fortuna range including different castor positions and seat to ground heights etc. Please contact us for further details

GENERAL SAFETY PRECAUTIONS

The **Fortuna** range of wheelchairs is designed to provide mobility to persons who are unable to walk, or have walking difficulties resulting in reduced mobility.

These chairs are suitable for indoor and outdoor use but are not indicated for sporting activities or activities other than mobility of the user.

The assessment of the suitability of your wheelchair should have involved consultation with a suitably qualified professional. Failure to do so can have serious effects on the safety in use of your wheelchair.

The safety statements in this manual highlight potential dangers or dangerous actions that could result in bodily injury or material damage. It is essential that every care is taken to reduce the risk of death whilst using the product

WARNING

Your wheelchair will be supplied ready assembled for your use. It should be ready to use and not require further adjustment. Do not alter any aspects of the chair until you have fully read this manual and understood what it contains. Any alterations should be undertaken with the advice of a professional.

SAFETY AND USE

HANDLING

Please ensure that you do not exceed the capability of the chair whilst in use. To determine the limits to which you are safely capable of reaching, bending etc, take the time to practice different combinations of movements with the attendance of a qualified professional who will recommend what is safe for your own personal circumstances. In some instances this will have been attended to during your final fitting for the chair.

WARNING

Never try to reach objects if you have to lean forward in the seat, you could tip forward.

Never try to pick up objects if you have to lean between your knees, you could tip forward.

Never lean too far back to reach objects behind you; you could tip over backwards.

Never shift your weight or your seated position in the direction you want to go; you could tip over.

Do not tilt the wheelchair to traverse kerbs or other obstructions.

Do not use an escalator to move between floors.

Keep hands and fingers clear of wheels and finger traps.

Do not put fingers on side rails when opening or closing the wheelchair. Use loops provided.

Ensure the chair is fully open before transferring.

Do not allow children to play with the chair.

Do not use with more than one person at any time

Do not use on soft ground or gravel

Do not go up or down or traverse ramps of more than 4 degrees.

Do not use on slippery surfaces

Always check hand grips are tight on the chair before use.

Your wheelchair is fitted with parking brakes. They are not suitable to stop the chair whilst in motion.

Always make sure that they are applied before attempting to move an object.
Always make sure that they are working before attempting to use the wheelchair.
Always apply BOTH parking brakes whenever you enter or leave the wheelchair.
Always approach the wheelchair close to an object before attempting to move it towards or away from the wheelchair. Make sure that the wheels are locked in place by the brakes before lifting the object. Turn both front wheels toward the object that you want to move, to improve stability.
Never use the parking brakes to slow down a moving wheelchair.
Never use the parking brakes to stop the wheelchair when it is in motion.
Never tip the wheelchair if it can be avoided.
Never use the wheelchair on an escalator or stairs.
Never use the chair sideways on a ramp
Avoid steep ramps whenever possible to avoid tipping forward or backwards.

Weight Limit

The recommended weight limit is specified on the identification label fixed to the cross member of the wheelchair. You will also find the unique identifier serial number on the same label. The seat width is also specified.

The weight limits for each chair as follows:

Fortuna 800	max user weight	25 stones/155 kg
Fortuna 1000	max user weight	33 stones/210kg
Fortuna 1400	max user weight	40 stones/245kg
Fortuna 1500	max user weight	50 stones/317kg

GENERAL GUIDELINES FOR WHEELCHAIR USE SAFETY/HANDLING

**CARE MUST BE TAKEN WHEN LIFTING FORTUNA WHEELCHAIRS. REFER TO
MANUAL HANDLING GUIDELINES.**

Parking Brakes

Check that the parking brakes do not rub against the tyres when the wheelchair is moving. The parking brakes must operate easily and not stick.

Height Adjustable Armrests

Make sure that the adjustment mechanism operates smoothly. Check that the height adjustable armrests slide easily and lock tightly in position.

Large (24'') Wheels

Check that there is no excessive bending or flexing during motion or when you shift your weight within the chair. Due to the method of construction the wheels may not run absolutely true. However excessive buckling or loose/broken spokes should be investigated immediately.

Front (8'') Wheels

Check the axles and make sure they are securely attached by turning the front wheels. The front wheels should slow down when spun. Tighten the axle if there is visible wobble or loosen it if the wheel stops abruptly when spun.

Tyres

If the wheelchair has inflatable tyres, check the pressure. If necessary, inflate the tyres to the pressure indicated on the sidewalls.

N.B. For Fortuna 1000, 1400 & 1500 wheelchairs, we supply solid tyres as standard.

CARE WHILST IN USE

The wheelchair user should be aware of safety and handling requirements. This manual provides the basic procedures and techniques required for maintenance and correct operation of the wheelchair. It is important to master these safety techniques through practice.

Practice will help you feel comfortable when manoeuvring around common, everyday obstructions. Use this manual as a basic guide. The techniques discussed here have been used successfully by many people.

Wheelchair users confront many unusual situations and limitations and they often devise individual techniques to meet the challenges that come up in their daily lives that may be different from those suggested here.

We encourage you to use what works best to avoid obstacles. The techniques discussed in this manual are only a starting point for new wheelchair users and are mainly concerned with encouraging good safety habits.

STABILITY

To assure stability and proper operation of your wheelchair, you must at all times wear your seat positioning strap (if fitted) and maintain proper balance. Your wheelchair has been designed to remain upright and stable during normal daily activities as long as you do not move beyond the center of gravity.

Do not lean forward out of the wheelchair any further than the length of the armrests. Make sure the casters are pointing in the forward position whenever you lean forward. This can be achieved by advancing the wheelchair and then reversing it in a straight line.

Many activities require the wheelchair user to reach, lean and transfer in and out of the wheelchair. These movements will cause a change to normal balance, centre of gravity, and weight distribution of the wheelchair. To determine and establish your particular safety limits, practice bending, reaching and transferring activities in several combinations in the presence of a qualified healthcare professional before attempting active use of the wheelchair.

Proper positioning is essential for your safety. When reaching, leaning, bending forward, it is important to use the front casters as a tool to maintain stability and balance.

When reaching behind you, position the wheelchair as close as possible to the desired object. Point the front casters forward to create the longest possible wheelbase. Reach back only as far as your arm will extend without changing your sitting position.

Folding and Unfolding the Wheelchair

To Unfold

1. Unfold the wheelchair by gripping the armrest closest to you. Tip it towards you (lifting the rear wheel and front wheel off the ground) and press on the seat tubing until the wheelchair is completely unfolded.
2. Apply the parking brakes. Unfold the footrests/leg rests to check that there is sufficient room, and then sit in the wheelchair.

To Fold

1. Fold the footrests/leg rests until they lock in front of the wheelchair.
2. Fold up the footplates to the vertical position.
3. Use both hands to grasp the loops found at the sides of the canvas/webbing seat and pull them upwards, or turn the wheelchair on its side and fold it using the handles on the seat-back.

CAUTION – FINGER TRAPS

To prevent injury, keep hands and fingers away from moving parts

Transfer to Other Seats

This may be performed without assistance, but only if you have sufficient mobility. Approach the wheelchair as close as possible to the seat you want to transfer to with the front wheels parallel to the seat. Secure the rear wheels by applying the parking brakes. Move to the seat. During the transfer, there will be little or no support beneath your body. Whenever possible, use a board to help you change to another seat.

BEFORE attempting a transfer – whether to, or from your wheelchair, make sure that both seats are as close as possible. Also make sure that the parking brakes are on to keep the rear wheels from moving (turn front wheels towards the destination seat).

If necessary, ensure you have somebody in attendance during this manoeuvre.

PUSHING TECHNIQUES

It is important that when a carer is pushing the wheelchair they have a good understanding of how it works and of the chair's limitations. Reading this manual will help this process. When first planning a trip, the carer should be aware of the distance and terrain to be covered. A combination of slope and camber is common in many areas and is to be avoided. If possible, try the chair out on typical surface conditions nearby, and practice manoeuvres likely to be encountered. The carer should be familiar with the operation of the wheelchair, remembering to put the brakes on and steady the chair before the occupant gets in and out. It is sensible to review the maintenance section of the manual before setting out. The occupant should not be rushed during transferring in and out of the chair. Before setting off, the carer should make sure that the occupant is comfortable and that clothes, rugs, covers etc do not catch in the wheels or interfere with the general workings of the wheelchair. The carer should walk at a sensible speed, and tell the occupant before changing position, tipping the chair or manoeuvring, also paying attention to the surface conditions and avoiding uneven or soft ground wherever possible. The carer should maintain a firm grip on the push handles at all times and be confident that they are able to cope with the obstacles expected during the trip, and have the physical strength to cope with the unexpected. Placing bags of shopping or other weights on the back of the chair is not recommended due to the instability this may cause.

LIST OF SAFETY CHECKS

The initial set up of the chair and safety checks, should be made by a suitably qualified professional and correspond to your body and your preferences. After that, remember to perform the following maintenance procedures regularly.

REGULAR MAINTENANCE

Your wheelchair needs proper maintenance to continue operating safely and easily. Regular maintenance will prolong the life and increase the comfort of your wheelchair. It will also help maintain it in a safe condition.

PERIODIC MAINTENANCE ITEM MAINTENANCE OPERATION

General

The wheelchair folds up and unfolds easily. The wheelchair rolls straight (no resistance or veer).

Parking Brakes

Parking Brakes must remain clear of the tyre when they are not applied. If linkages or fasteners appear loose or worn, contact your supplying dealer or Wheelchair Service Centre for assistance.

Cross-braces

Check that they are not worn or bent and that the central pivot bolt is not worn or damaged.

Armrests

Check that all fasteners are in place.

Check that they are easy to remove & refit.

Check that the armrest locating pins function correctly.

Check that both seat and seat-back upholstery are in good condition.

Rear drive wheels

Check tightness of axle nut and sealed bearings.

Check rear wheels for excessive buckling.

Check tyres for uneven wear or excessive wear.

Spokes

Check for bent, broken or slack spokes.

Front castors

Check the axle function for free wheel.

Adjust the bearing if the wheel wobbles or grips.

Check that all castor fork bearings are tight.

Inflatable tyres

If the wheelchair has inflatable tyres (not recommended), check that they are filled to the pressure specified on the sidewall. Check for excessive tread pattern wear and damage to the tyres.

Cleaning

In domestic applications, clean and disinfect all accessible surfaces daily using one of the commercially available household disinfectants. Always follow the manufacturer's guidelines for use. For institutional applications, follow the instructions as recommended by your Infection Control Adviser.

Seat and back

Check the seat and back for any signs of wear and/or tearing. If they are damaged in any way your safety will be compromised.

TROUBLESHOOTING AND REPAIR

If problems cannot be corrected, consult your supplier.

ADJUSTMENTS

BACK

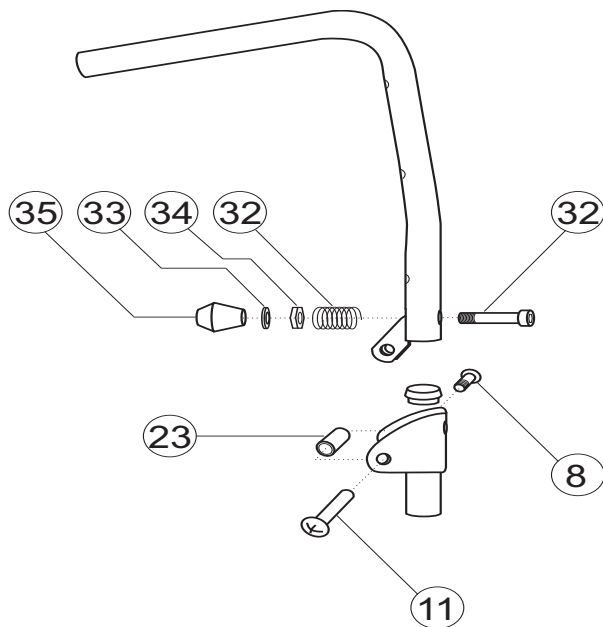
Fixed back

No adjustment is possible for this model.

Folding back

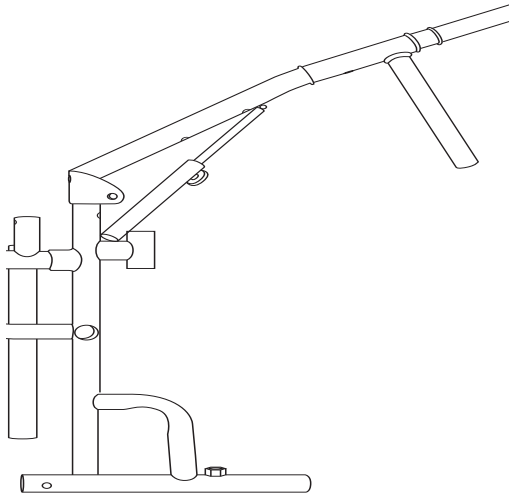
To fold the back, lift handle slightly and pull on knob (35) and fold the top half of the back down

To return it to the upright position, lift the top half of the back and make sure that the sprung pins (32) are in position and then the backrest will be secure.



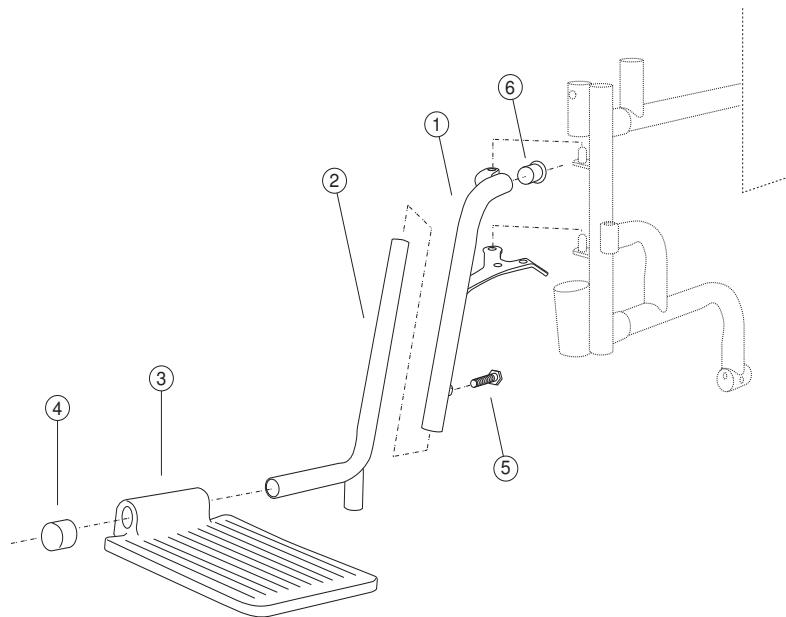
Reclining back. To special order only

To adjust the backrest, unscrew the two knobs on the sliding telescopic struts to the rear of the backrest upright. Adjust the backrest to the correct angle and then tighten the two knobs ensuring they are secure. N.B. If the knobs are not secure there is a risk of serious injury to the user.



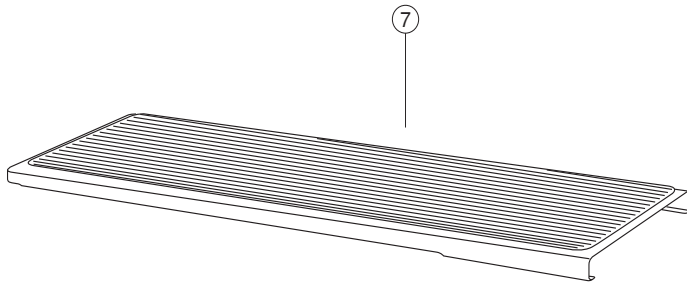
FOOTRESTS

Adjustable Height Footrest



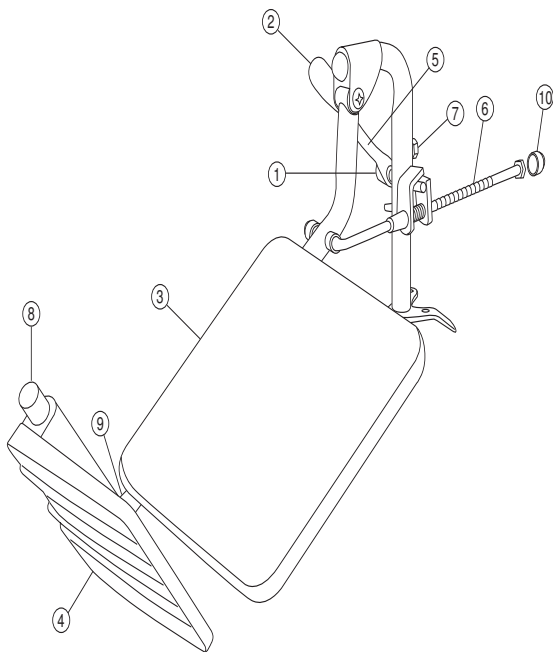
1. Loosen lock bolt (5) at the end of the hanger bracket and adjust the footrest unit to the desired height, retighten bolt.
2. Repeat the operation on the other footrest.

Removable Foot plate.



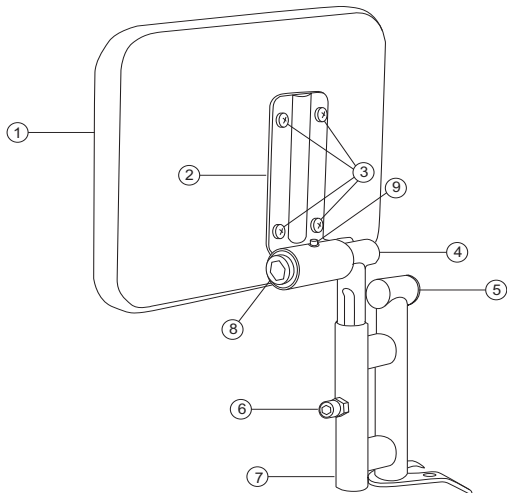
The foot plate can be slid onto either foot rest. To move, or to enable the user's feet to be placed on or off it, either raise the loose end of the footplate and lift the flat red foot hanger release pin to swing it out of the way. Or, simply raise the plate to the upright position. Do not drop the plate as it may harm the user.

Elevating Leg rest



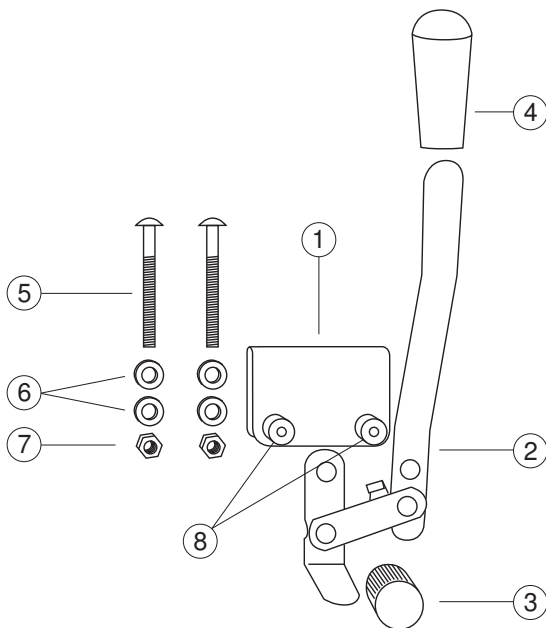
To adjust the angle of the leg rest, undo the lever (2) and raise the limb to the required position. Retighten the lever and it will remain locked at the correct angle. To lower, support the weight of the limb appropriately. Undo the locking lever and lower the leg rest to the required position. Retighten the locking lever. The leg rest will then remain in position.

Amputee or stump board.



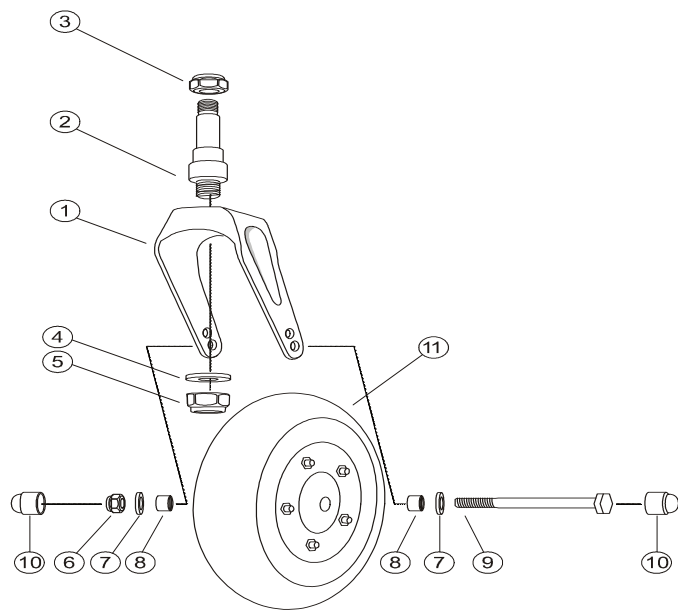
The amputee or stump board can be raised as shown above by swivelling on the axis (8). To adjust the height, undo the locking bolt (6), lower or raise as appropriate, and re-tighten.

PARKING BRAKES



Adjustment of the parking brake is made by loosening the nuts on the inside of the frame (8), undoing the bolts (5) slightly and sliding the brake assembly along the frame tube until the correct braking force can be applied to the tyre. Then re-tighten the bolts and nuts. When the brake is applied, the wheelchair should remain stationary. N.B. The parking brakes may not restrain the chair on ramps, when in use with the user, and should be tested for safe use.

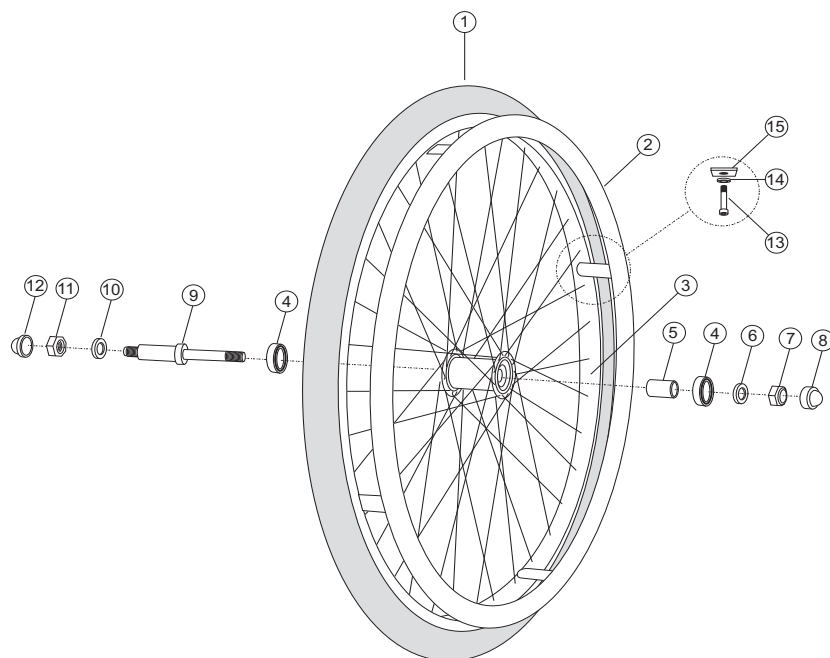
FRONT CASTORS



The castors are secured to the castor fork (1) by an axle bolt and axle nut (9&6). If necessary, tighten the axle bolt and axle nut using two spanners. Ensure that the castors are firmly seated in the fork without any wobble or play, and can rotate freely.

REAR DRIVE WHEELS

Check weekly that all spokes are uniformly tight and are not bent. Spin the wheel and check that it rotates without any significant wobble. If a wheel appears loose at the axles, tighten as follows:

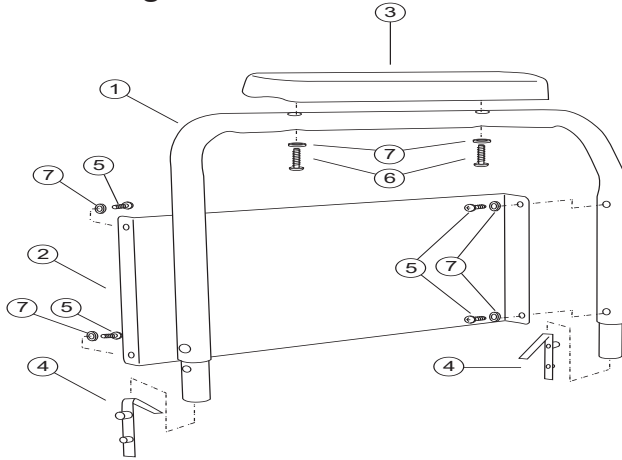


Slacken the locknut (7) and then re-tighten the axle bolt as necessary. Test for correct tightness by spinning the wheel. It should rotate freely and slow down gradually to a halt. If it stops abruptly, the axle is too tight and must be released slightly.

N.B. If any spokes appear loose or broken, do not use the chair. Refer to your local wheelchair services or supplying dealer.

ARMRESTS.

Removing Armrests

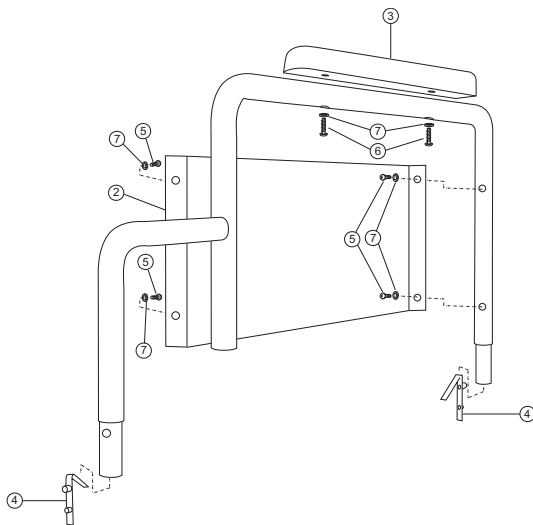


1. Unlock the armrest by pressing the sprung release buttons (4) on the front and back of the armrest.
2. Pull the armrest straight up and out of the sockets.

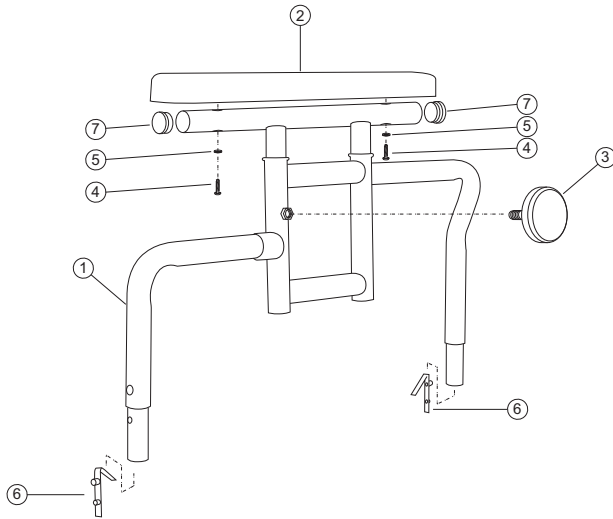
Replacing Armrests

3. Push the armrest straight down into the sockets.
4. Make sure both ends slide over the sprung release buttons (4), which should stick out and be proud of the locating holes.

Desk Armrests



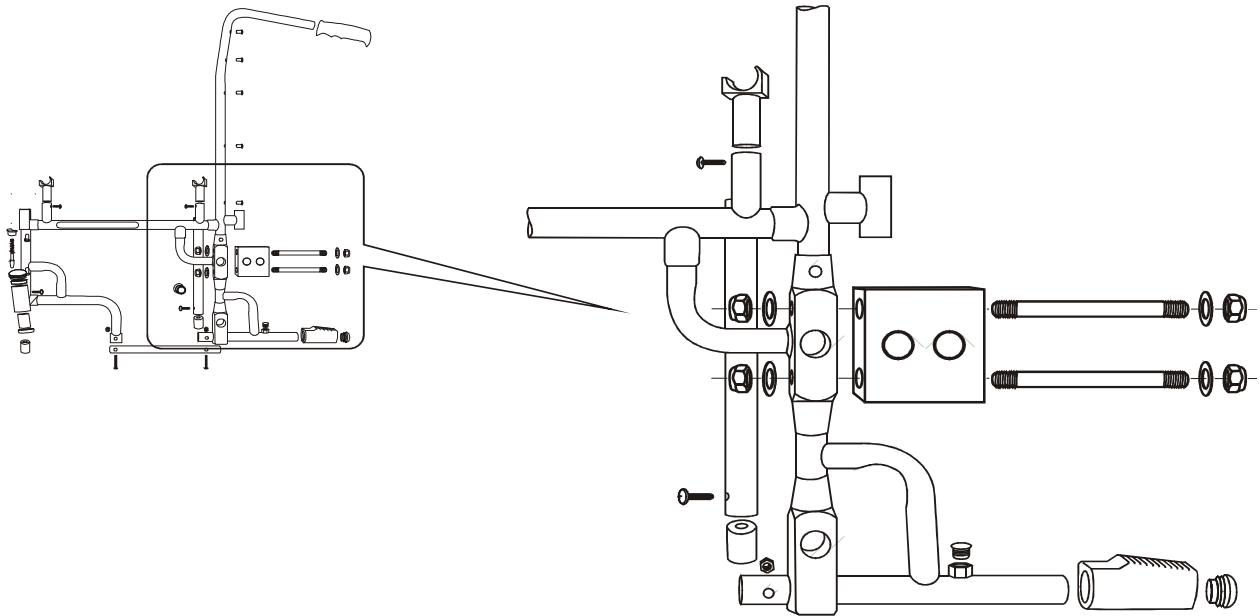
Adjustable armrests.



To adjust the height of the adjustable arm rests, undo the knob (3), raise or lower to the required height, and re-tighten the knob to ensure the armrest is secured.

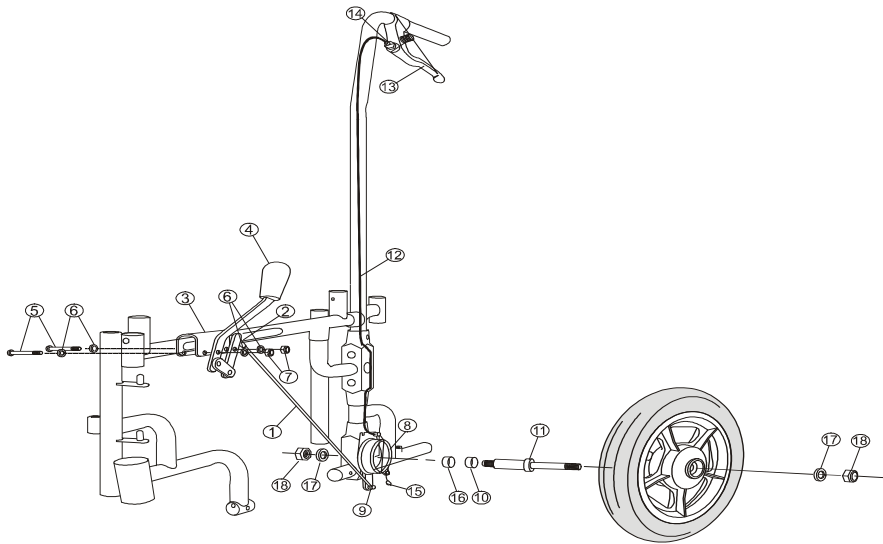
OTHER OPTIONS.

Rear Wheel Setback Kits.



The rear wheel set back kit is supplied fitted to the chair or as an extra. It is bolted to the rear of the frame as demonstrated above, and enables the user to alter the depth of the wheelbase to enable greater stability. To adjust the rear wheel set back, remove the wheel assembly from the inner axle end. Fit the block against the axle mounting block. The two long securing bolts have locknuts that should be equally tightened on both ends. The wheel axle is then bolted through the appropriate hole.

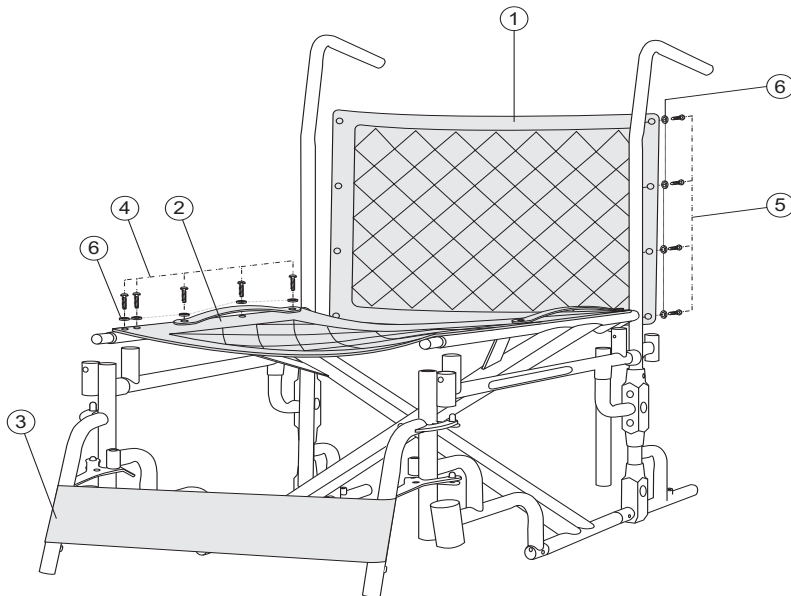
Attendant Drum Brakes.



Attendant drum brakes are fitted as standard to Transit versions but are optional on Self Propelling versions. The brakes are operated by squeezing the hand levers and pressing in the locking pin with your thumbs. The brakes are also operated by levers attached to the side frame.

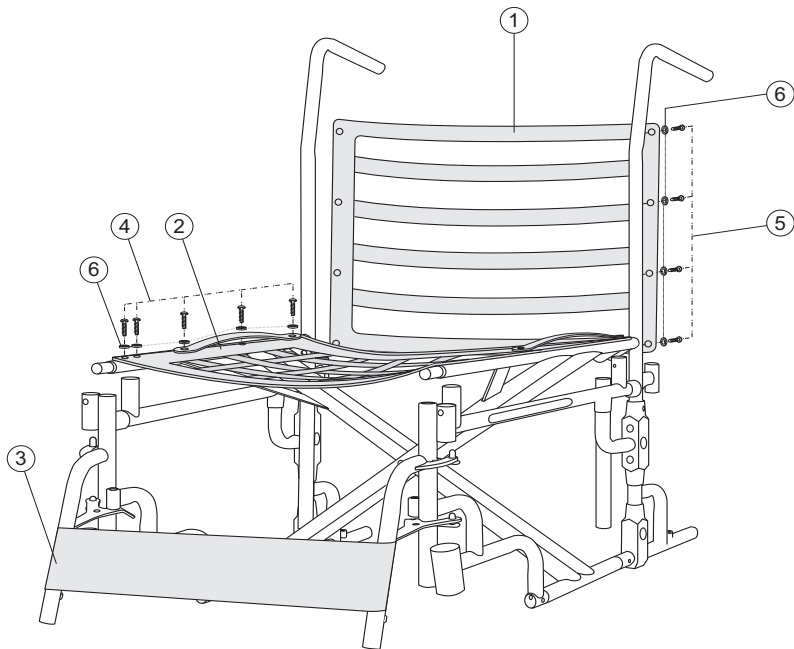
WEBBING OR CANVAS SEAT & BACK.

Canvas Seat and Back.

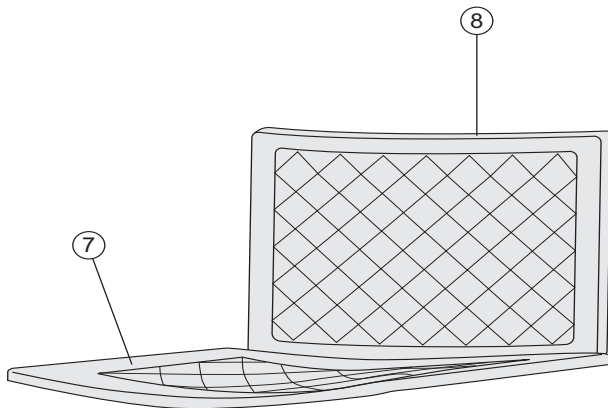


The chairs can be supplied with, or retro fitted with, either a canvas seat and/or back or webbing.

Webbing Seat and Back.



The webbing, as seen above, can be altered to either take up the user's shape or angle the seat or back to enable a more comfortable seating position. Release the holding straps and re-tighten them according to the shape or posture you wish to attain. The webbing is then covered with either the seat and pack pad (shown below) or a padded canvas, which is also available for either the seat or back.

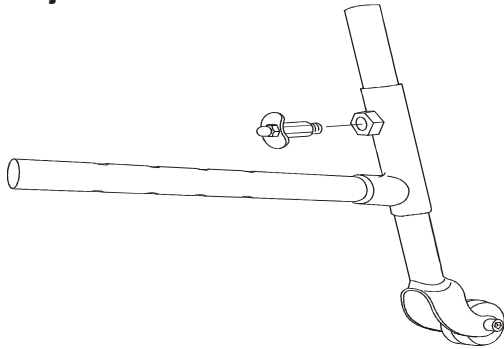


REAR ANTI-TIP OPTIONS.

Fixed.

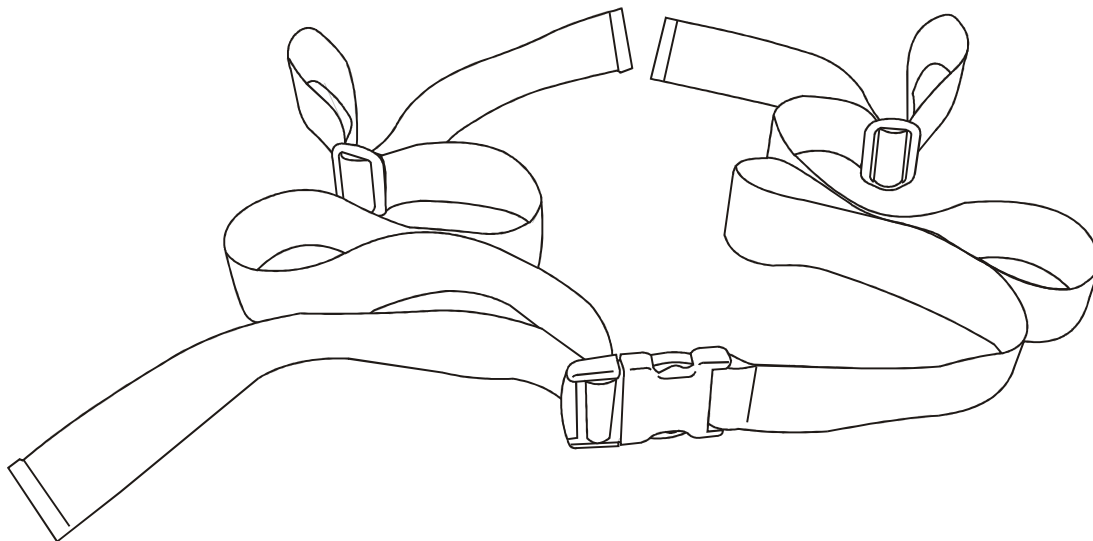


Adjustable



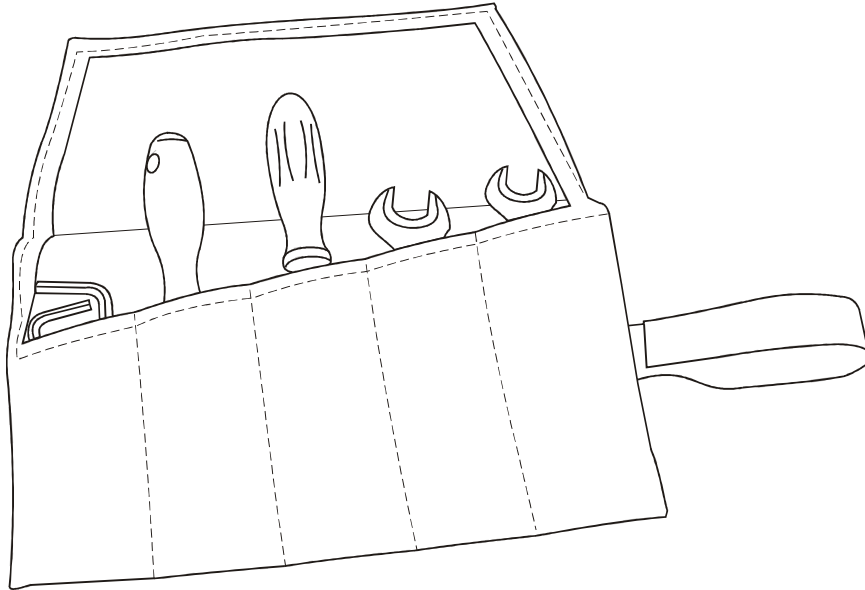
Anti tip kits are available for original or retro fitting. They slide into the end of the lower side frame tubes and are located by quick release pins. Adjust to suit the user's activities and environment.

LAP STRAPS.



Lap straps are supplied fitted. They are secured at the rear by looping around the rear uprights. The buckle is located at the front and is a simple clip fit. The strap is adjustable.
N.B. This is a lap strap and not a safety feature.

SPANNER KIT.



A spanner kit for routine maintenance is available to order.

FORTUNA WHEELCHAIRS GENERAL SPECIFICATION DATA

FORTUNA 800

	Fortuna 800-45	Fortuna 800-50	Fortuna 800-55	Fortuna 800-60	Fortuna 800-65
Seat Width	45cm (18")	50cm (20")	55cm (22")	60cm (24")	65cm (26")
Seat Depth	42cm(16½") 45cm(18") 50cm (20") 58cm (23")	42cm(16½") 45cm(18") 50cm (20") 58cm (23")	42cm(16½") 45cm(18") 50cm (20") 58cm (23")	42cm(16½") 45cm(18") 50cm (20") 58cm(23")	42cm(16½") 45cm(18") 50cm (20") 58cm (23")
Seat to Footrest	38-48cm (15-19")	38-48cm (15-19")	38-48cm (15-19")	38-48cm (15-19")	38-48cm (15-19")
Seat to Ground	50cm (20")	50cm (20")	50cm (20")	50cm (20")	50cm (20")
Folded Length	105cm (41")	105cm (41")	105cm (41")	105cm (41")	105cm (41")
Overall Width	63.5-68cm (25-27")	68-73cm (27-29")	73-78cm (29-31")	78-83cm (31-33")	83-88cm (33-35")
Folded Width	33cm (13")	33cm (13")	33cm (13")	33cm (13")	33cm (13")
Height of Backrest	42cm (16½")	42cm (16½")	42cm (16½")	42cm (16½")	42cm (16½")
Overall Height	93cm (37")	93cm (37")	93cm (37")	93cm (37")	93cm (37")
Castor Size	20.3cm (8")	20.3cm (8")	20.3cm (8")	20.3cm (8")	20.3cm (8")
Wheel Size	24" x 1 3/8"	24" x 1 3/8"	24" x 1 3/8"	24" x 1 3/8"	24" x 1 3/8"
Tyre Pressure	Solid	Solid	Solid	Solid	Solid
Weight Complete	28kg	28.5kg	29kg	29.5kg	30kg
Finish	Polyester Powder Coat	Polyester Powder Coat	Polyester Powder Coat	Polyester Powder Coat	Polyester Powder Coat
Frame	Steel St 37-2	Steel St 37-2	Steel St 37-2	Steel St 42-2	Steel St 42-2
Maximum User Weight	155kg (25 stone)	155kg (25 stone)	155kg (25 stone)	155kg (25 stone)	155kg (25 stone)
Frame Guarantee	2 years	2 years	2 years	2 years	2 years

FORTUNA WHEELCHAIRS GENERAL SPECIFICATION DATA

FORTUNA 1000

	Fortuna 1000-45	Fortuna 1000-50	Fortuna 1000-55	Fortuna 1000-60	Fortuna 1000-65	Fortuna 1000-70
Seat Width	45cm (18")	50cm (20")	55cm (22")	60cm (24")	65cm (26")	70cm (28")
Seat Depth	42cm(16½") 45cm(18") 50cm(20") 58cm (23")	42cm(16½") 45cm(18") 50cm(20") 58cm (23")	42cm(16½") 45cm(18") 50cm(20") 58cm (23")	42cm(16½") 45cm(18") 50cm(20") 58cm (23")	42cm(16½") 45cm(18") 50cm(20") 58cm (23")	42cm(16½") 45cm(18") 50cm(20") 58cm (23")
Seat to Footrest	38-48cm (15-19")	38-48cm (15-19")	38-48cm (15-19")	38-48cm (15-19")	38-48cm (15-19")	38-48cm (15-19")
Seat to Ground	50cm (20")	50cm (20")	50cm (20")	50cm (20")	50cm (20")	50cm (20")
Folded Length	105cm (41")	105cm (41")	105cm (41")	105cm (41")	105cm (41")	105cm (41")
Overall Width	63.5-68cm (25-27")	68-73cm (27-29")	73-78cm (29-31")	78-83cm (31-33")	83-88cm (33-35")	88-93cm (35-37")
Folded Width	33cm (13")	33cm (13")	33cm (13")	33cm (13")	33cm (13")	33cm (13")
Height of Backrest	42cm (16½")	42cm (16½")	42cm (16½")	42cm (16½")	42cm (16½")	42cm (16½")
Overall Height	93cm (37")	93cm (37")	93cm (37")	93cm (37")	93cm (37")	93cm (37")
Castor Size	20.3cm (8")	20.3cm (8")	20.3cm (8")	20.3cm (8")	20.3cm (8")	20.3cm (8")
Wheel Size	24" x 1 3/8"	24" x 1 3/8"	24" x 1 3/8"	24" x 1 3/8"	24" x 1 3/8"	24" x 1 3/8"
Tyre Pressure	Solid	Solid	Solid	Solid	Solid	Solid
Weight Complete	30kg	30.5kg	31kg	31.5kg	32kg	32.5kg
Finish	Polyester Powder Coat	Polyester Powder Coat	Polyester Powder Coat	Polyester Powder Coat	Polyester Powder Coat	Polyester Powder Coat
Frame	Steel St 37-2	Steel St 37-2	Steel St 37-2	Steel St 42-2	Steel St 42-2	Steel St 42-2
Maximum User Weight	210kg (33 stone)	210kg (33 stone)	210kg (33 stone)	210kg (33 stone)	210kg (33 stone)	210kg (33 stone)
Frame Guarantee	2 years	2 years	2 years	2 years	2 years	2 years

FORTUNA WHEELCHAIRS GENERAL SPECIFICATION DATA

FORTUNA 1400

	Fortuna 1400-60	Fortuna 1400-65	Fortuna 1400-70
Seat Width	60cm (24")	65cm (26")	70cm (28")
Seat Depth	42cm (16½") 50cm (20") 58cm (23")	42cm (16½") 50cm (20") 58cm (23")	42cm (16½") 50cm (20") 58cm (23")
Seat to Footrest	38-48cm (15-19")	38-48cm (15-19")	38-48cm (15-19")
Seat to Ground	50cm (20")	50cm (20")	50cm (20")
Folded Length	105cm (41")	105cm (41")	105cm (41")
Overall Width	78-83cm (31-33")	83-88cm (33-35")	88-93cm (35-37")
Folded Width	33cm (13")	33cm (13")	33cm (13")
Height of Backrest	42cm (16½")	42cm (16½")	42cm (16½")
Overall Height	93cm (37")	93cm (37")	93cm (37")
Castor Size	20.3cm (8")	20.3cm (8")	20.3cm (8")
Wheel Size	24" x 1 3/8"	24" x 1 3/8"	24" x 1 3/8"
Tyre Pressure	Solid	Solid	Solid
Weight Complete	40kg approx	44kg approx	44kg approx
Finish	Polyester Powder Coat	Polyester Powder Coat	Polyester Powder Coat
Frame	Steel St 42-2	Steel St 42-2	Steel St 42-2
Maximum User Weight	245kg (40 stone)	245kg (40 stone)	245kg (40 stone)
Frame Guarantee	2 years	2 years	2 years

FORTUNA WHEELCHAIRS GENERAL SPECIFICATION DATA

FORTUNA 1500

	Fortuna 1500-65	Fortuna 1500-70	Fortuna 1500-75
Seat Width	65cm (26")	70cm (28")	70cm (30")
Seat Depth	42cm (16½") 50cm (20") 58cm (23")	42cm (16½") 50cm (20") 58cm (23")	42cm (16½") 50cm (20") 58cm (23")
Seat to Footrest	38-48cm (15-19")	38-48cm (15-19")	38-48cm (15-19")
Seat to Ground	50cm (20")	50cm (20")	50cm (20")
Folded Length	105cm (41")	105cm (41")	105cm (41")
Overall Width	83-88cm (33-35")	88-93cm (35-37")	93-98cm (37-38½")
Folded Width	33cm (13")	33cm (13")	33cm (13")
Height of Backrest	42cm (16½")	42cm (16½")	42cm (16½")
Overall Height	93cm (37")	93cm (37")	93cm (37")
Castor Size	20.3cm (8")	20.3cm (8")	20.3cm (8")
Wheel Size	24" x 1 3/8"	24" x 1 3/8"	24" x 1 3/8"
Tyre Pressure	Solid	Solid	Solid
Weight Complete	60kg approx	62.5kg approx	65kg approx
Finish	Polyester Powder Coat	Polyester Powder Coat	Polyester Powder Coat
Frame	Steel St 42-2	Steel St 42-2	Steel St 42-2
Maximum User Weight	317kg (50 stone)	317kg (50 stone)	317kg (50 stone)
Frame Guarantee	2 years	2 years	2 years

POWER PACKS.



The EasyGo PLUS power pack is recommended for use with Fortuna Heavy-duty Wheelchairs and users up to 250kg (40 Stone). The unit is easily fitted under a wheelchair by clipping it to the pre-fitted mounting brackets. No tools are required. With the speed controller on the push handle, the attendant can easily control the motor power while guiding the chair. It is no longer necessary to push the wheelchair up a hill, and engine braking helps restrain it going down a slope. EasyGo PLUS drives on its own 2 wheels. Its mounting position ensures good traction.

PRODUCT	EasyGo PLUS
Product no.	202015
Batteries-maintenance free	28 AmpH.
Length	240 mm
Width	490 mm
Height	270 mm
Weight	38 kg.
Charger 24-volt	5 Amp.
Charging time	6 Hours
Range on level ground	25 km
Motor performance	250 W.
Electronic controller	70 Amp.
Speed - tortoise	0-4 km/h.
Hare	0-6,5 km/h.
Max. safe slope	12% / 7°

The specific way EasyGo PLUS performs, gives 2 major advantages:

1. The power pack "pulls" the wheelchair forwards, which both extends the lifetime of the chair and improves its manoeuvrability.
2. During operation the power pack carries its own weight, and consequently does not have to be calculated into the capacity of the wheelchair.

EasyGo PLUS is for large wheelchairs –capacity to 250 kg and max. seat width 70 cm/28".

It is CE-marked according to the EC-directive 93/42/EEC concerning medical devices.

WARRANTY TERMS & CONDITIONS

This is to certify that your **FORTUNA Heavy-duty Wheelchair** is warranted by Sumed International (UK) Ltd., for a period of 2 years from the date of dispatch. The warranty is defined as follows:

1. The Wheelchair is warranted against defective workmanship and materials for a period of 2 years.
2. If a defect or fault is discovered, please contact Sumed International (UK) Limited or the original supplier.
3. The manufacturer will not accept responsibility for damage caused by misuse/abuse or non-observance of the instructions set out in the user manual.
4. During the period of the Warranty, any parts that have become defective due to faulty workmanship or materials, will be renewed or repaired without charge.
5. The Warranty will be void should any unauthorised alteration(s) be made to the equipment.
6. The Purchaser's statutory rights under the Consumer Protection Act are not affected.

Limitation of liability

This Warranty does not extend to the consequential costs resulting from any failure of the chair. It is also not applicable to:

- natural wear and tear
- inappropriate or incorrect use
- defective assembly or setting-up by the purchaser or third parties
- defective or neglectful treatment
- use of unsuitable spares or alterations to the original specification.

For all warranty claims please contact:

Sumed International (UK) Limited
Units 1-2 Graphite Way
Hadfield
Glossop
Derbyshire
SK13 1QH.

Tel: 01457 890980

Fax: 01457 890990

Email: Sales@sumed.co.uk

Web Site: www.sumed.co.uk